

C Series  
Single Channel  
Frequency Transmitter

→ Introductions

This frequency transmitter converts the frequency signals to current or voltage signals. DIN rail power supply function can be selected in ordering.

The input, output, and power supply are galvanically isolated from each other. It can be interfaced with all kinds of device, such as DCS, PLC and other systems.

→ Parameters

**Power supply:**

Connection type: Terminals (9+, 10-) or DIN rail connector  
Rated voltage: 18 V DC ~ 60 V DC (Recommended voltage: 24 V DC)

**Input (1, 2):**

Input signal: frequency  
Switching point:  
Low level: 0 ~ 2 V; High level: 4 ~ 30 V (The other trigger point need to be ordered)  
Frequency range: ≤ 100 kHz  
Pulse width: ≥ 5 μs  
Input resistance: ≥ 10 kΩ

**Resolution:**

Input frequency < 1 kHz: 0.1 Hz  
Input frequency ≥ 1 kHz: 1 Hz

**Distribution:**

24 V DC: Distribution voltage ≥ 22 V at 20mA  
12 V DC: Distribution voltage ≥ 11 V at 20mA

**Output (5, 6; 7, 8):**

Output current: 0(4) ~ 20 mA; 0 ~ 10 mA  
Output voltage: 0(1) ~ 5 V; 0 ~ 10 V

**Load resistance:**

0(4) ~ 20 mA: ≤ 550 Ω; 0 ~ 10 mA: ≤ 1.1 kΩ  
0(1) ~ 5 V: ≥ 1 MΩ; 0 ~ 10 V: ≥ 2 MΩ

**Output ripple:** ≤ 5 mV<sub>rms</sub> (Load resistance: 250 Ω)

**Transmission characteristics:**

Accuracy: ± 0.1% F.S. (25 °C ± 2 °C)

**Response time:** ≤ 0.5 s

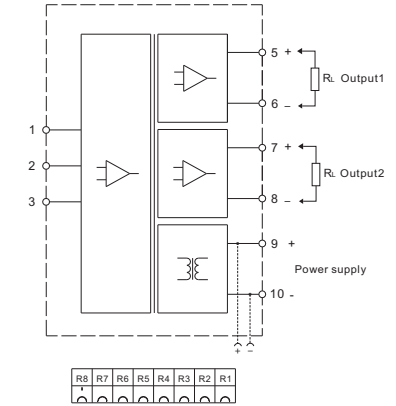
**Temperature drift:** 30 ppm/°C

**Electromagnetic compatibility:** Accordance to IEC 61326-3-1

**Dielectric strength (1 mA leakage current, 1 minute test time):**

≥ 1500 V AC (Input /Output/Power supply)

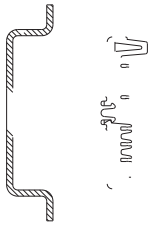
Single input, double output



Nanjing New Power Electric Co., Ltd.

BUS	Electrical Characteristics
Current	Max. 8 A
Voltage (UL/IEC)	1.6 kV
Operation temperature	-40 °C ~ +105 °C

C. Pry the metal lock off the rail with screwdriver as arrow shown, pull downward the springs, and rotate the devices.



D. Remove the devices as arrow shows.

- As far as possible to mount it vertically, In order to dissipation the heat of the devices.

Vertically installation

→ **Light indication**

- PWR**: Power indicator light shows green, it means work normally.
- ALM**: Input signal state indicator (red), it is remaining

→ **Attention**

- The devices degree of protection is IP 20 and must be protected from undesirable ambient conditions (waterproofing, small foreign objects). It is suitable for installation in the control room or high density field cabinet, DIN 35 mm installation is convenient for