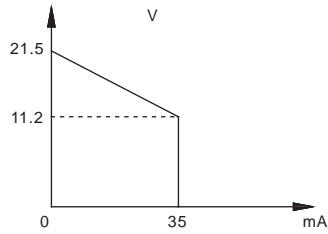
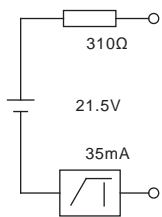


NPEXB-H511L

35mA

20V DC 30V DC
 $\leq 1.4W$

$> 11.2V$ DC
 21.5V DC
 $\leq 35mA$

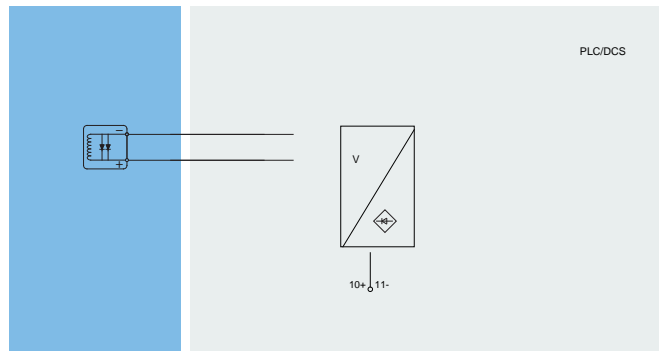


$< 20ms$
 IEC 61326-3-1
 $\geq 2500V$ AC
 $\geq 100M\Omega$ /
 -20 +60
 -40 +80

15.8mmx 121.6mmx 104.8mm

0 1 2 II A II B

II C T4 T6



(NEPSI)

[Ex ia Ga] II C

(Um) 250V

(1 2)

$U_0=25.2V$, $I_0=85mA$, $P_0=536mW$

II C $C_0=0.107\mu F$ $L_0=4.2mH$

II B $C_0=0.82\mu F$ $L_0=12.6mH$

II A $C_0=2.9\mu F$ $L_0=33.6mH$