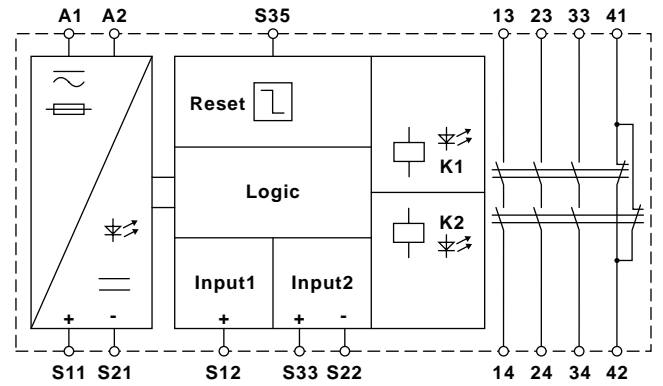




AC



.V

100ms

100ms

3-1,

00-6-4

PLe,	ISO 13849
Cat.4,	ISO 13849
20 ,	ISO 13849
99%,	ISO 13849
164 ,	ISO 13849
68,	ISO 13849
SIL3,	IEC 61508
SIL CL3,	IEC 62061
1,	IEC 62061
99%,	IEC 62061
$1.29 \times 10^{-5} / PTI=20$	IEC 62061
$1.49 \times 10^{-10} 1/h,$	IEC 62061
0,	IEC 60204